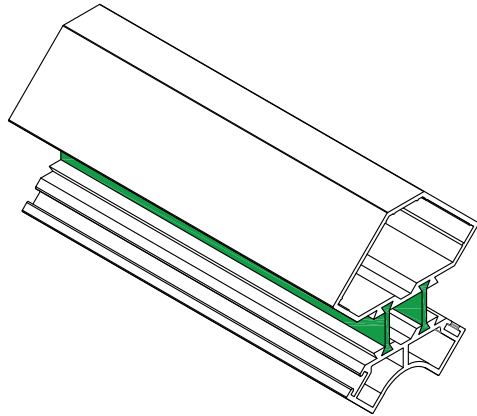
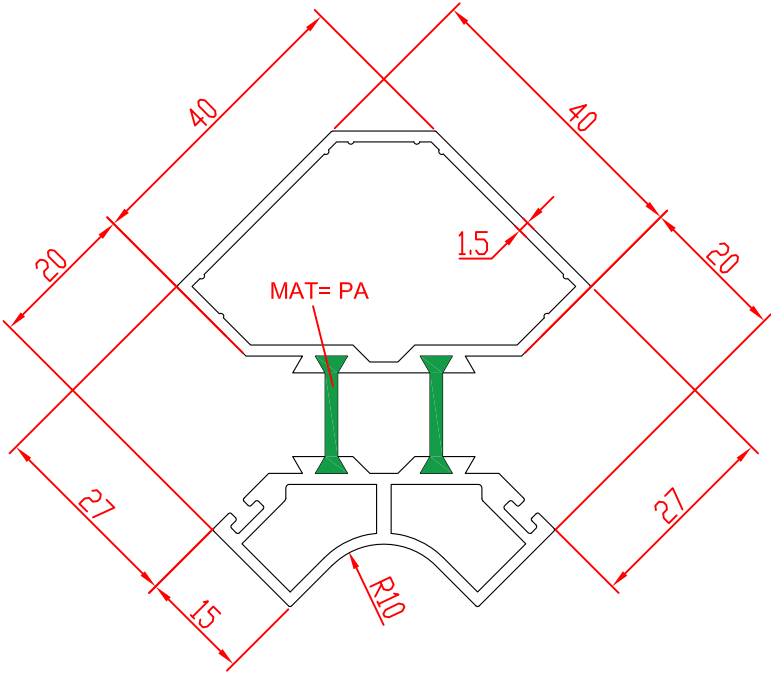
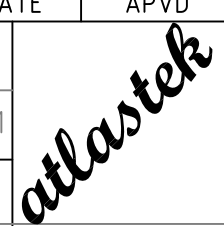



Date	Number	Form Cod



REV	DESCRIPTION					DATE	APVD
DOCUMENTS:	Designed by	Checked by	Approved by	Edition	Date	  STD: ISO	
	Nekoonam			1	99/08/01		
	<b>PROFILE-5KHAM 4CM-TERMALBREAK</b>			material	dimension		
Qty:	Weight:	Tol:	DRAWING_NUMBER:		AL 6063	MM	1:1
1	1.3 Kg/m	±0.1	PH.5KHAM.4CM-TERM				