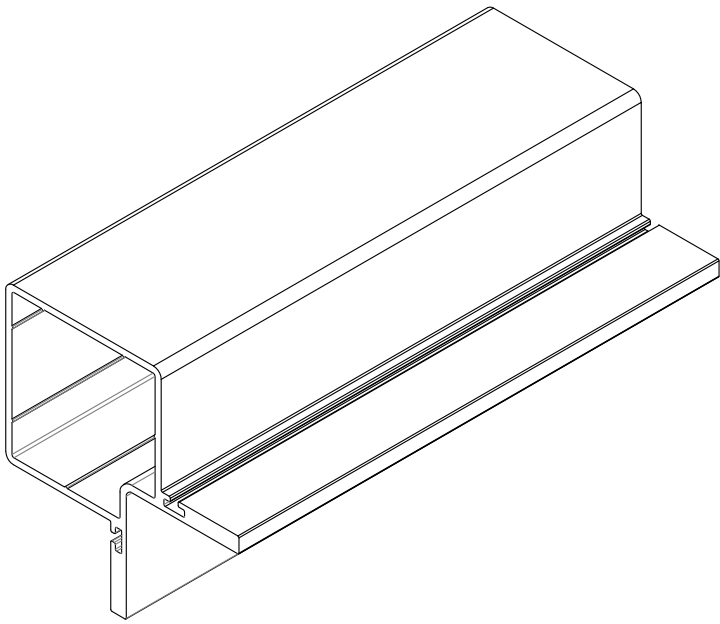
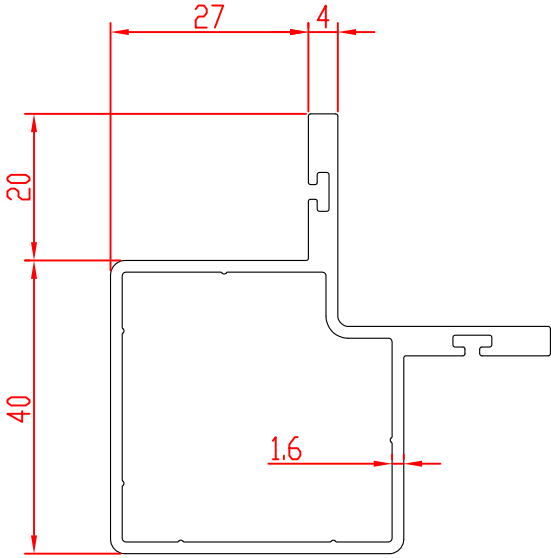



Date	Number	Form Cod



REV	DESCRIPTION					DATE	APVD
DOCUMENTS:	Designed by	Checked by	Approved by	Edition	Date	 STD: ISO	
	Nekoonam			1	95/08/01		
	PROFILE			material	dimension		
	5KHAM.4CM.NAVARKHOR			AL 6063	MM	1:1	
Qty:	Weight:	Tol:	DRAWING_NUMBER:				
1	1.05 Kg/m	±0.1	PH.5KHAM.4CM.NAVARKHOR				