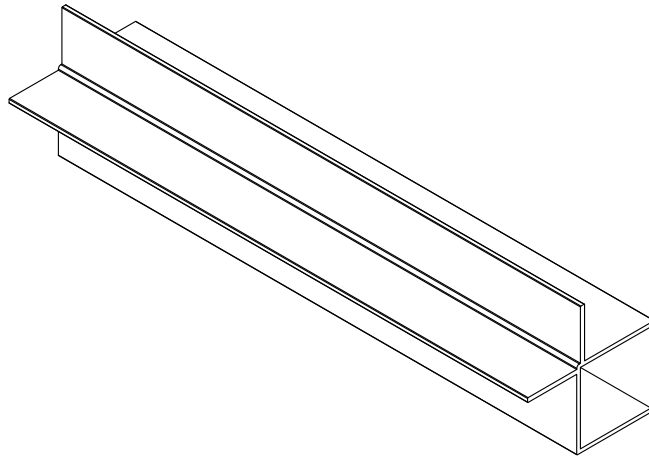
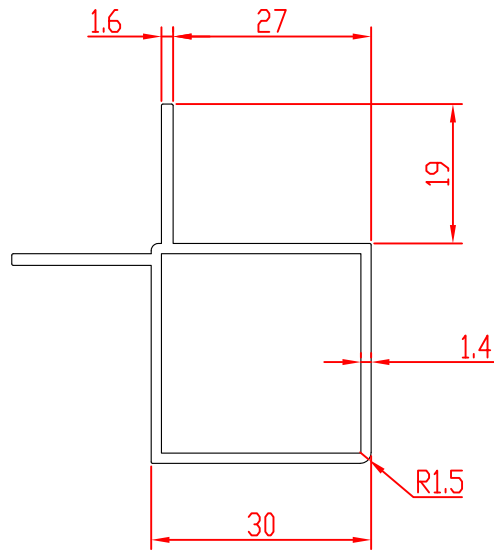
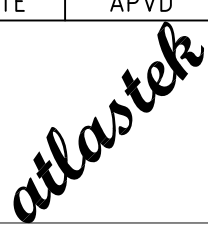



Date	Number	Form Cod



REV	DESCRIPTION					DATE	APVD	
DOCUMENTS:		Designed by	Checked by	Approved by	Edition	Date		
		Nekoonam			1	99/08/01		
		PROFILE 5KHAM.3CM		material	dimension	Scale		
Qty:	Weight:	Tol:	DRAWING_NUMBER:		AL 6063	MM	1:1	 STD: ISO
1	0.6 Kg/m	±0.1	PH.5KHAM.3CM					